

New in our product line



# MAD<sup>®</sup> EasyLoad loading system

No more heavy lifting!

**Van racking systems  
in 100% Aluminium**



**ALUCA<sup>®</sup>**  
born of conviction



# EasyLoad onboard loading system

## Easy to operate

The EasyLoad onboard loading system can be used to lift and place loads of up to 500 kg, depending on the model, comfortably and safely - with a push on the button and single handed.

## It strengthens the backbone of your business.

The MAD® EasyLoad relieves drivers and employees and helps avoiding Health & Safety problems at work. Especially avoiding back complaints which almost automatically come up when lifting and handling heavy loads.

## Productive. Efficient. EasyLoad.

The MAD® EasyLoad loading system increases your flexibility and productivity by making better use of each vehicle's capacity and so the capacity of your entire fleet.

In many cases it allows a one person operation without the need of a second person. When a vehicle is replaced, all systems can easily be removed and reinstalled.

## Customized

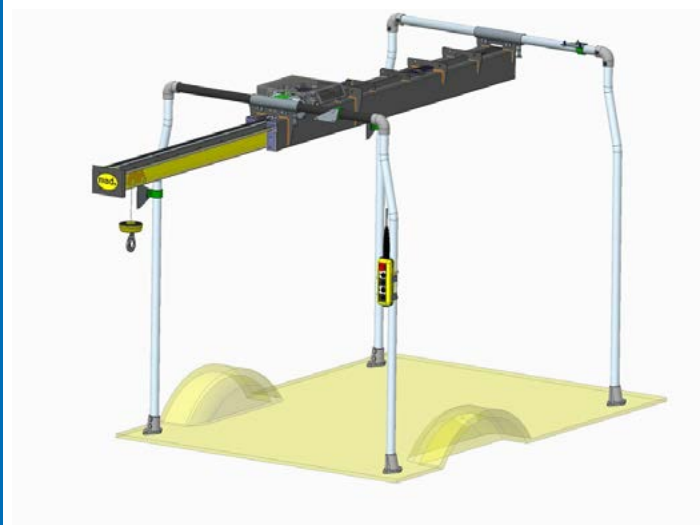
In order to be ideally equipped for applications that require customized lifting aids or other adjustments, the EasyLoad loading system can be customized with a range of lifting devices, such as pallet hooks, barrel clamps, slings and round slings.



EasyLoad Compact



EasyLoad 250



EasyLoad 500



# EasyLoad models

## EasyLoad 250 and EasyLoad 500

The EasyLoad onboard loading system has a high quality, compact winch unit with extendable boom. The stable, lightweight construction guarantees absolute reliability and is maintenance-free. The EasyLoad is mounted on a self-supporting frame, which is mounted in the cargo space. A pre-assembled cable set is connected to the wiring system. The remote control is simply plugged in. There are no expensive conversions required. When changing a vehicle, the EasyLoad loading system can be easily removed and installed in your next vehicle.



Easy to move in the cargo space

## EasyLoad Compact

This is the compact version of the well-tested and in practice proven EasyLoad on-board loading system which is especially designed for the use in smaller vans. It allows you to lift and place loads with a weight of 200 kg.

The highlight is a swiveling boom that allows to operate the EasyLoad Compact from the rear as well as from the side of the vehicle. The driver is now even more independent of the infrastructure on site. The EasyLoad Compact is available with a field width of 1.100 mm or 1.300 mm.



Crane operation sideways of the vehicle

Model overview	EasyLoad Compact		EasyLoad 250		EasyLoad 500
Article No.	109000	109001	109002	109003	109004
Field width	1.100 mm	1.300 mm	1.900 mm	2.300 mm	2.300 mm
Maximum lifting capacity	200 kg	200 kg	250 kg	250 kg	500 kg
Own weight	110 kg	120 kg	110 kg	120 kg	150 kg
Max. load height (depending on the interior vehicle height)	up to 250 cm		up to 300 cm		
Winch specification	12V 100A [24V 100A on request]				
Winch operation	by push button up/down		by push button up/down, remote control		
<b>Boom positioning</b>					
alongside the vehicle	manually		-		-
across the vehicle	manually		electrical		electrical
Lifting speed	10 cm/s		10 cm/s		5 cm/s
EasyLoad Safety	CE, NEN-EN-14492-2				
Delivery time	4 weeks after final confirmation of order				

Our General Terms and Conditions are to be applied. For more informationen, please visit [www.aluca.de](http://www.aluca.de).

**Further information and accessories can be found  
in our main catalogue, on our website or at your  
local ALUCA specialist!**

**ALUCA®**

**ALUCA GmbH**

**Van racking systems in 100% aluminium**

Westring 1  
74538 Rosengarten  
Germany

Phone +49 791 950 40-0  
Fax +49 791 950 40-20

[info@aluca.de](mailto:info@aluca.de)  
[www.aluca.de](http://www.aluca.de)